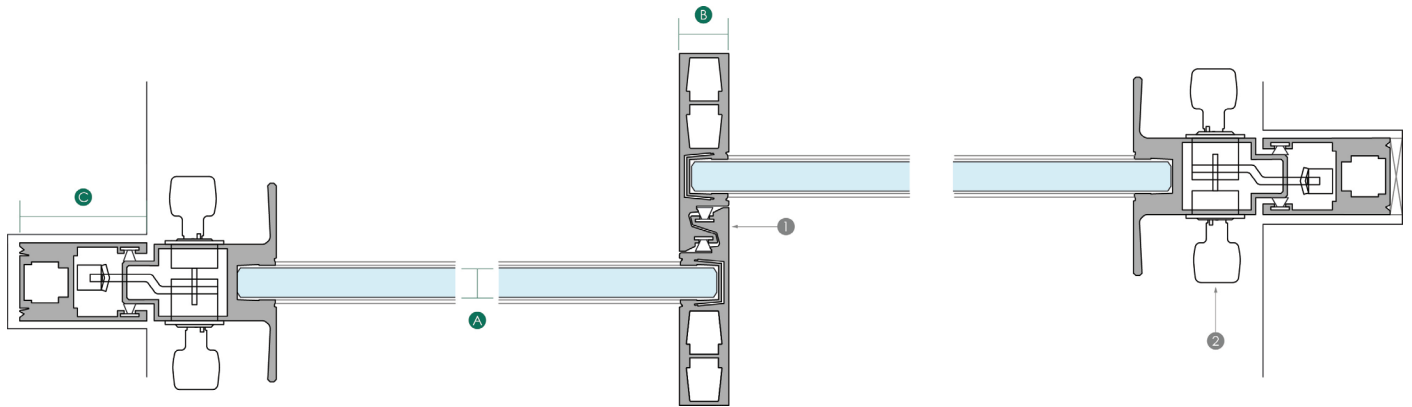
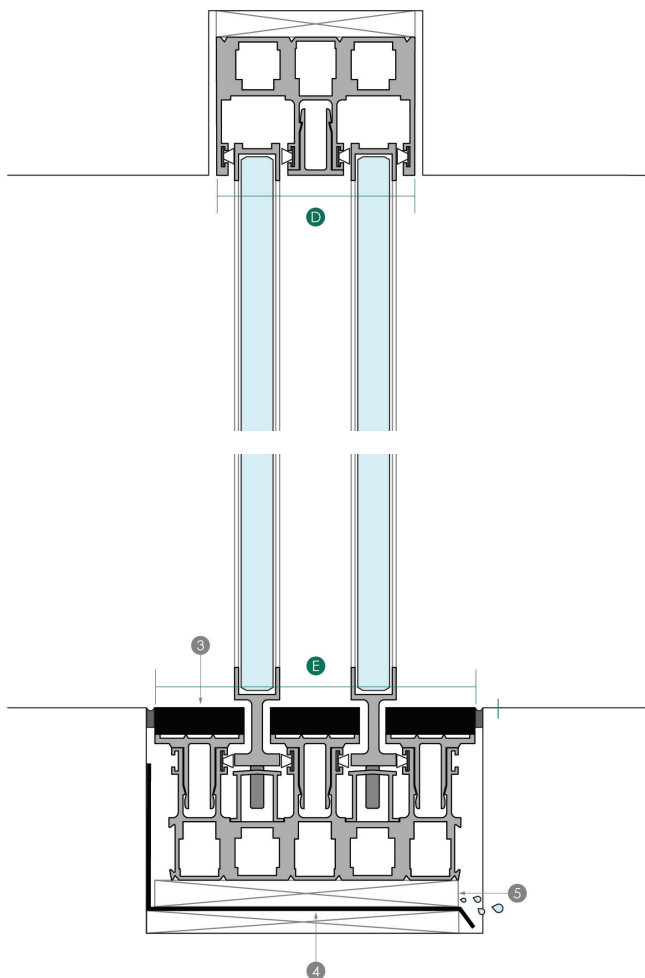


# BYV SUPERSLIM12

## Plan



## Section



## Dimensions & main components

- |                |  |
|----------------|--|
| <b>A</b> 12mm  | <b>1</b> Infill inserts                  |
| <b>B</b> 20mm  | <b>2</b> Subsill tray by Vincenzo        |
| <b>C</b> 52mm  | <b>3</b> Packing to allow water drainage |
| <b>D</b> 121mm | <b>4</b> Interlock                       |
| <b>E</b> 75 mm | <b>5</b> Lock system                     |

## Description

A sleek single glazing system for exterior designs that can accommodate almost any combination of window and door configuration. Choose between standard or underfloor tracks for a minimalist aesthetic for the sliding configuration. Enjoy top-notch acoustic insulation and resilience against infiltration and water penetration. Opt for the integrated motorised system for added convenience. Elevate your architecture with the BYV12 – where form meets function in style.